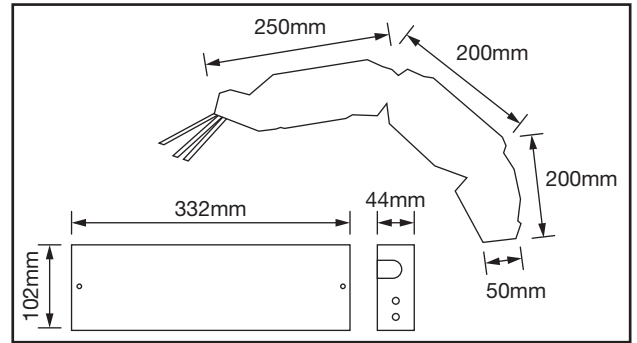


AEMSK10/240V

Emergency Pack
For 1-10W 240v LED Loads

PRODUCT FEATURES

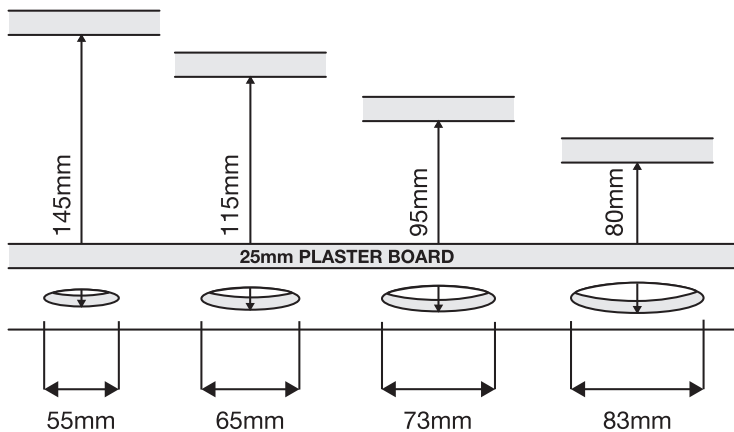
- 3 Hour Emergency Pack Duration
- Maintained
- NICD Batteries
- Fibreglass Cloth
- Remote Indicator Diode
- Easy Installation
- Supplied in Metal Enclosure



TECHNICAL SPECIFICATIONS

PRODUCT CODE	AEMSK10/240V
Voltage	220-240 VAC
Emergency Duration	3 Hrs
For Use With	AGU470D / AGU700D / AGU501D / AFD110ADJD / AFD010D / AFDMR11 / ADRCC350NANOTD/2-4 / AGLS901
Operating Temperature (°C)	-20°C ~ +40°C

Minimum Ceiling Void Requirement*



*When metal enclosure removed